



SATURNUS 45



I

PONTE
SOLLEVATORE
A FORBICE

GB

SCISSORS
LIFT

ESPLOSO SOLLEVATORE

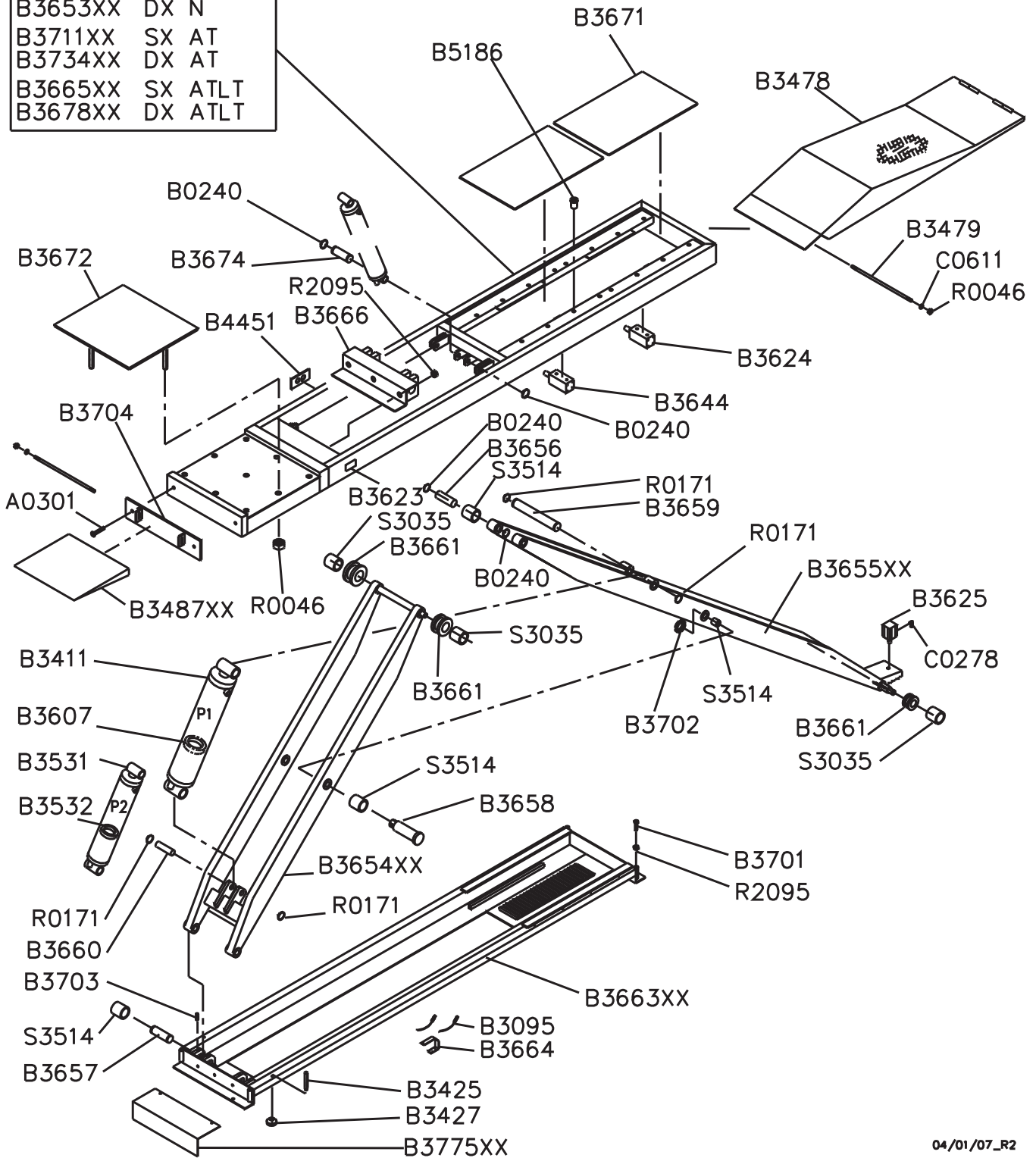
EXPLODED VIEW OF THE LIFT

EXPLOSIONSZEICHNUNG HEBEBÜNNE

VUE ÉCLATÉE - ÉLÉVATEUR

DESPIECE ELEVADOR

B3652XX	SX N
B3653XX	DX N
B3711XX	SX AT
B3734XX	DX AT
B3665XX	SX ATLT
B3678XX	DX ATLT



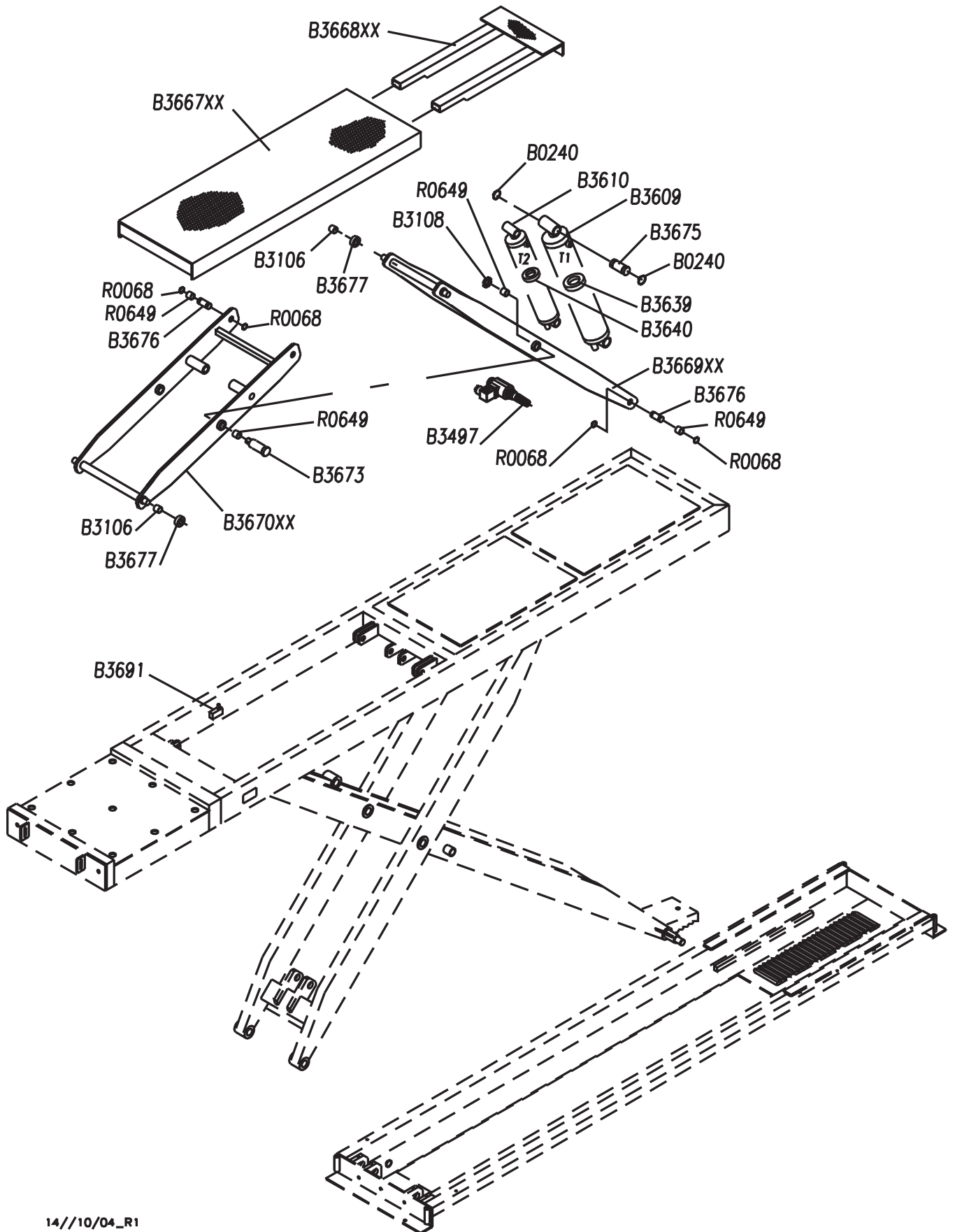
ESPLOSO TORRETTE

EXPLODED VIEW OF THE TURRETS

EXPLOSIONSZEICHNUNG RADFREIHEBER

VUE ÉCLATÉE - LEVAGE AUXILIAIRE

DESPIECE TORRE



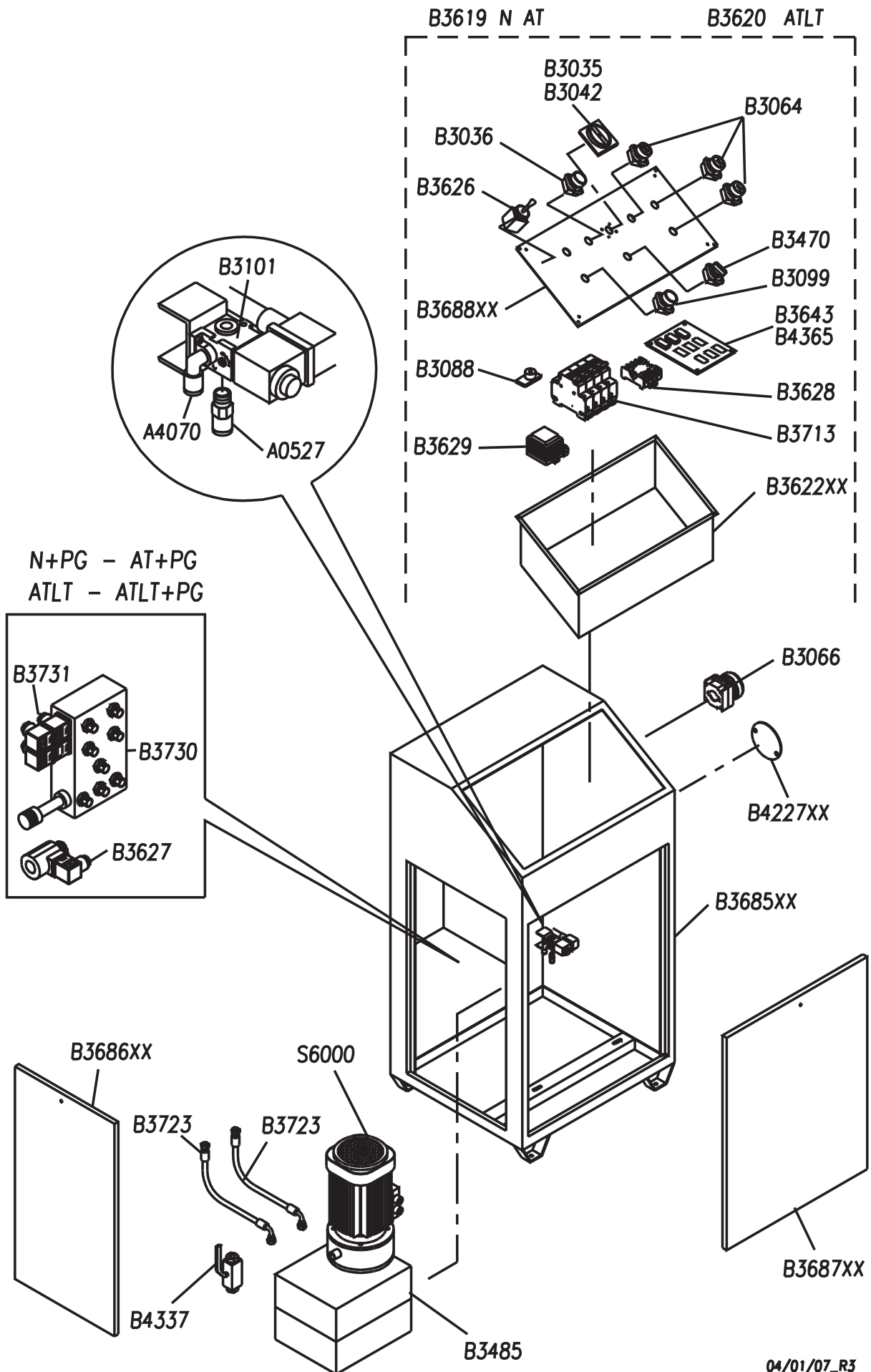
QUADRO DI COMANDO

CONTROL BOX

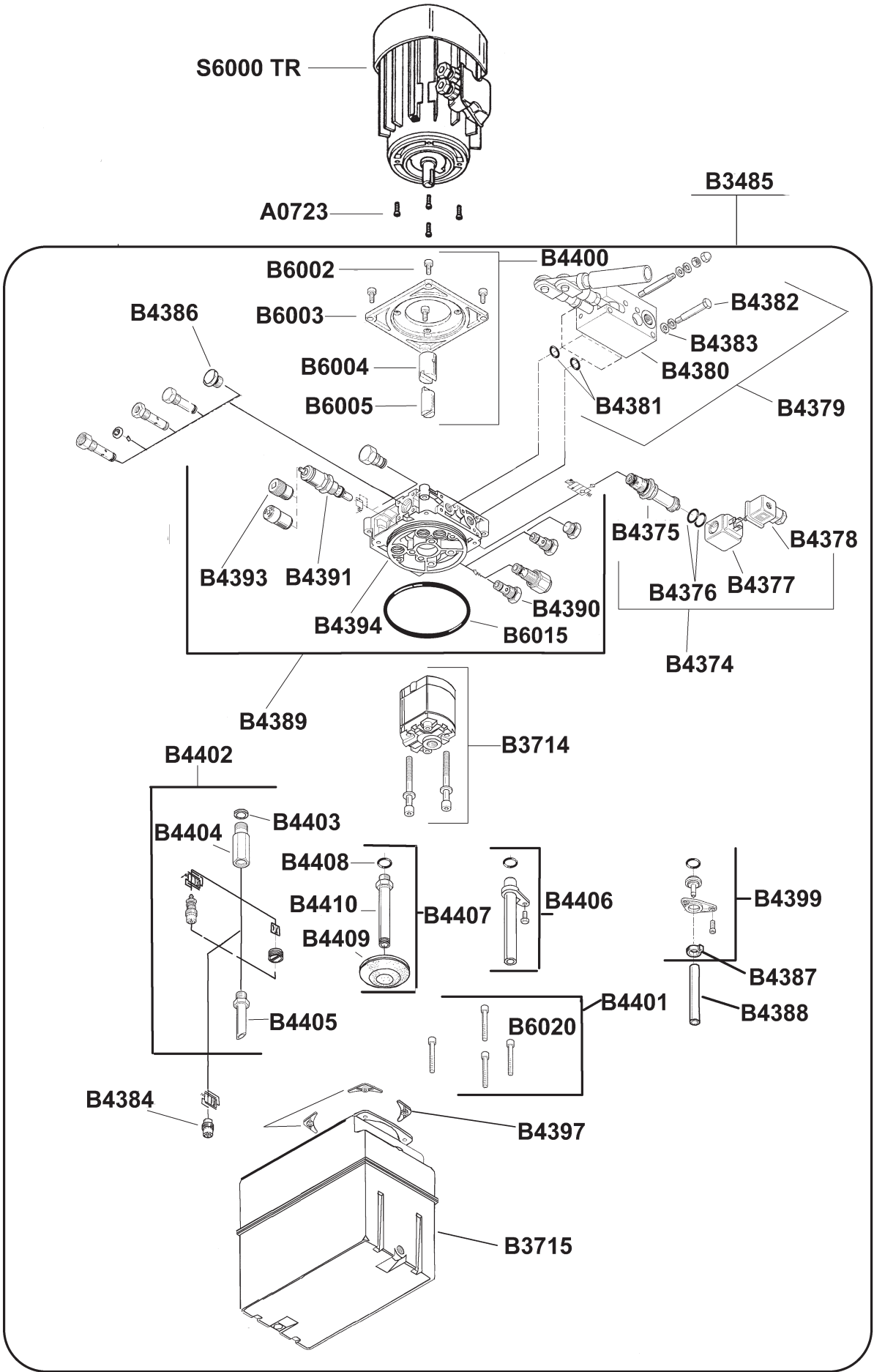
STEUERTAFEL

TABLEAU DE COMMANDE

PANEL DE MANDO



CENTRALINA OLEODINAMICA	
OLEODYNAMIC CONTROL UNIT	HYDRAULIKEINHEIT
CENTRALE HYDRAULIQUE	CENTRALITA HIDRAULICA



Part Code	Sugg	Descrizione	Description	Beschreibung	Description	Denominacion
A0301		VITE TCCE M12X35 12.9 UNI 5931	SCREW M12X35 12.9	SCHRAUBE M12X35 12.9	VIS TCHC M12X35 12.9 UNI 5931	TORNILLO TCEI M12X35 ZINCADO
A0328		RACCORDO "L" 1/4" M X TUBO Ø 8	"L" MALE CONNECTION G1/4" Ø8	"L" ANSCHLUSSKEGELG1/4"-Ø8	RACCORD "L" G 1/4" - Ø8	RACOR "L" 1/4" M PARA TUBO Ø 8
A0386		RACCORDO DIRITTO M 1/4" - Ø8	STRAIGHT FITTING M1/4"-Ø8	SCHNELLANSCHLUSS GERADE M 1/4"XØ8	RACCORD DROIT M 1/4" - Ø8	UNIÓN RECTA M 1/4" - Ø8
A0527		RACCORDO RAPIDO DRITTO M 1/8"-Ø 4/2	STRAIGHT CONNECTION M1/8"-Ø4/2	SCHNELL GERADER ANSCHLUSS M1/8"-Ø4/2	RACCORD DROIT MÂLE G 1/8" - Ø4X2	UNIÓN RECTA MACHO G 1/8" - Ø4X2
A0723		VITE TCEI M8X20 UNI 5931	SCREW TCEI M8X20 UNI 5931	SCHRAUBE TCEI M8X20 UNI 5931	VIS TCHC M8X20 UNI 5931	TORNILLO TCEI M8X20 UNI 5931
A4070		RACCORDO "L" GIREVOLE M 1/8X6	ROTATING "L" CONNECTION M 1/8X6	"L"-ANSCHLUSS M 1/8X6	RACCORD EN "L" M 1/8X6	UNIÓN "L" MACHO G 1/8" - TUBO Ø6
B0240		SEEGER E35 UNI 7435	SEEGER E35 UNI 7435	SEEGER E35 UNI 7435	BAGUES E35 UNI 7435	SEEGER E35 UNI 7435
B0743		ADATT.FORG.90° M.+M.CON.3/8	ADAPTER	ADAPTER	RACCORD	ADAPTATOR
B3035	*	INTERRUTTORE GENERALE	MAIN SWITCH	HAUPTSCHALTER	INTERRUPTEUR GÉNÉRAL	INTERRUPTOR GENERAL
B3036		SEGNALE LUMINOSO	SIGNAL LIGHT	KONTROLLEUCHTE	TÉMOIN LUMINEUX	ESPIA
B3042		FINITURE	FINISHING ELEMENTS	SCHALTER ABDECKUNG	ENJOLIVEUR	ELEMENTOS DE ACABADO
B3052	*	FUSIBILE SECONDARIO 4A 5X20	SECONDARY FUSE	SEKUNDÄRSICHERUNG	FUSIBLE SECONDAIRE	FUSIBILE SECONDARIO 4A 5X20
B3064	*	PULSANTE SALITA-DISCESA +CONTATTI	UP DOWN PUSH-BUTTON	DRUCKSCHALTER ANHEBEN ABSENKEN"	POUSSOIR DE MONTÉE - POUSSOIR DE DESCENTE	BOTON SUBIDA-DESCENSO
B3066	*	PULSANTE ESCLUSIONE FOTOCELLULA	PHOTOCELL CUT OUT PUSH-BUTTON	SCHALTER FOTOZELLE UND UNTERER BEGRENZUNGENSCHALTER AUßE	POUSSOIR D'EXCLUSION CELLULE PHOTOÉLECTRIQUE ET F.C.	BOTON DE EXCLUSION FOTOCELULA
B3068	*	FOTOCELLULA	PHOTOCELL	FOTOZELLE	CELLULE PHOTOÉLECTRIQUE	FOTOCELULA
B3081		NIPPLO M-M 1/4 IDRAULICA	1/4" NIPPLES	DOPPEL GEWINDENIPPEL 1/4"	NIPPLE 1/4"	NIPLE M-M 1/4 HIDRAULICA
B3085		RACCORDO "T" M-F-M 1/4" IDRAULI	"T" CONNECTION M-F-M 1/4"	"T" ANSCHLUSSKEGEL M-F-M 1/4"	RACCORD EN T M-F-M 1/4"	CONEXION
B3086		VALVOLA PARACADUTE	PARACHUTE VALVE	SICHERHEITSVENTIL	CLAPET PARACHUTE	VALVULA PARACAIDAS
B3088		SIRENA AVVERTIMENTO	SIREN	SIRENE	SIRÈNE	ALARMA ACUSTICA
B3095	*	SENSORE FINECORSA ALTO	SENSOR, HIGH POSITION	AUSGLEICHSENSOR OBERE POSITION ERREICHT	CAPTEUR FIN DE COURSE HAUT	SENSOR FINAL DE CARRERA DE ARRIBA
B3099		PULSANTE ULTIMO TRATTO	FINAL STROKE PUSH BUTTON	SCHALTER ÜBERBRÜCKUNG UNTERSTE STELLUNG AUFNAHMEPLATTEN	POUSSOIR AUTORISATION PARDOURS FINAL DE DESCENTE	BOTON ULTIMO TRAMO
B3101	*	ELETTRO VALVOLA COMPL.3/2 CONNET.S96	ELECTRO-VALVE	ELEKTROMAGNETVENTIL	BOBINE D'ÉLECTROVANNE PNEUMATIQUE	ELECTROVALVULA AIRE
B3106		BOCCOLA AUTOLUBR.30X34X30	SELF-LUBRICATING BUSHING Ø30X34X30	SELBSTSCHMIERENDE BUCHSE D 30X34X30	DOUILLE AUTOLUBRIFIANTE Ø30X34X30	CASQUILLO AUTOLUBRIC. DIAM. 30X34X30
B3108		GHIERA AUTOBLOCCANTE	RING NUT	OBERER SCHERENARM INNEN RECHTS	BAGUE AUTOBLOQUANTE	VIROLA AUTOBLOQUEANTE
B3411		PISTONE P1 SATURNUS	PISTON 1	KOLBEN	PISTON	PISTÓN
B3412		PISTONE P2 SATURNUS	PISTON 2	KOLBEN	PISTON	PISTÓN
B3425		VITE REGOLAZ.PIATTELLO SAT40	SCREW	SCHRAUBE	VIS	TORNILLO
B3427		PIATTELLO DI REGOLAZIONE SAT40	PLATE	PLATTE	PLATEAU	PLATILLO
B3470		SELETTOR TORRETTE PEDANE PG 40	AUXILIARY LIFT SELECTOR SWITCH PG 40	UMSCHALTER AUFSATZPLATTFORM	SELECTEUR TOURELLES AUXIL.PLATES-FORMES PG 40	SELECTOR PLATAFORMAS AUXILIARES PLATAFORMAS PG 40
B3478		RAMPA BASCULANTE S40 2STA	RAMP	RAMPE	RAMPE	RAMPA

B3479		TIRANTE RAMPA SATURNUS S40 ZB	RAMP TIE ROD SATURNUS S40 ZB	RAMPENZUGSTANGE SATURNUS S 40 ZB	TIRANT RAMPE SATURNUS S40 ZB	TIRANTE RAMPA SATURNUS S40 ZB
B3485		CENTRAL.MC2 F9,5 SATURNUS S40	CONTROL UNIT MC2 F9,5 SATURNUS S40	ZENTRALEINHEIT MC2 F9,5 SATURNUS S40	CENTRALE MC2 F9,5 SATURNUS S40	CENTRAL.MC2 F9,5 SATURNUS S40
B3486		TORCIA COMPLETA PG	TORCH FOR PLAY DETECTOR	KOMPLETTE HANDLAMPE	TORCHE	SOPLETE
B3487XX		FERMARUOTA BASCULANTE	WHEEL STOP	RADBLOCKIERUNG	ARRET-ROUES	TOPE DE RUEDA
B3488		FUSIBILE 10X38 20A	FUSE	SCHMELZSICHERUNG	FUSIBLE	FUSIBILE
B3497		ELETTRO VALVOLA T1 T2 S40	ELECTRO-VALVE	ELEKTROVENTIL	ELECTROVANNE	ELECTROVÁLVULA
B3531		CILINDRO P2	CYLINDER P2	ZILINDER P2	VERIN P2	CILINDRO P2
B3532		KIT GUARNIZ.CIL.P2	GASKETS KIT	DICHTUNGSSATZ	JEU DE JOINTS	JUEGO DE JUNTAS
B3607		KIT GUARNIZ.CIL.P1 SATURNUS40	GASKETS KIT	DICHTUNGSSATZ	JEU DE JOINTS	JUEGO DE JUNTAS
B3609		CILINDRO T1 DI 85 SAT40	CYLINDER	ZYLINDER	VÉRIN	CILINDRO
B3610		CILINDRO T2 DI 75 SAT40	CYLINDER	ZYLINDER	VÉRIN	CILINDRO
B3611		TUBO 1/4	HOSE 1/4	SCHLAUCH 1/4	TUYAU 1/4	TUBO 1/4
B3612		TUBO 3/8	HOSE 3/8	SCHLAUCH 3/8	TUYAU 3/8	TUBO 3/8
B3613		TUBO 3/8	HOSE 3/8	SCHLAUCH 3/8	TUYAU 3/8	TUBO 3/8
B3614		TUBO 1/4	HOSE 1/4	SCHLAUCH 1/4	TUYAU 1/4	TUBO 1/4
B3619		QUADRO/T 230-400 40 N/AT	ELECTRIC BOX	KASTEN DREHSTROM	COFFRET ÉLECTRIQUE	CUADRO ELÉCTRICO
B3620		QUADRO/T 230-400 40 ATLT/LT	ELECTRIC BOX	KASTEN DREHSTROM	COFFRET ÉLECTRIQUE	CUADRO ELÉCTRICO
B3622xx		SCATOLA ELETTRICA	ELECTRIC BOX	KASTEN DREHSTROM	COFFRET ÉLECTRIQUE	CUADRO ELÉCTRICO
B3623		RIFRANGENTE SAT40	REFRACTING	REFLEKTOR FOTOZELLE	PLAQUETTE REFLECTORISÉE	REFLECTANTE
B3624		CILINDRO PNEUM.PIATTI OS.SAT40	CYLINDER	ZYLINDER	VÉRIN	CILINDRO
B3625		CILINDRO PNEUM.SICUREZZA SAT40	CYLINDER	ZYLINDER	VÉRIN	CILINDRO
B3626		VALVOLA PNEUM.PIASTRE OS.SAT40	PNEUMATIC VALVE	VENTIL	SOUPAPE	VALVULA
B3627		ELETTROVALVOLA SCAMBIO PEDANE/TORRETTE	ELECTRO-VALVE	ELEKTROVENTIL	ELECTROVANNE	ELECTROVÁLVULA
B3628		TELERUTTORE 40	CONTACTOR	FERNSCHALTER	TÉLÉRUPTEUR	TELEINTERRUPTOR
B3629		TRASFORMATORE 63VA 230/400-0/24V	TRANSFORMER 63VA 230/400-0/24V	TRANSFORMATOR 63VA 230/400-0/24V	TRANSFORMATEUR 63VA 230/400-0/24V	TRANSFORMADOR 63VA 230/400-0/24V
B3634		RACCORDO 3 VIE M-M-F3/8GAS S40	CONNECTION	ANSCHLUSS	RACCORD	UNIÓN
B3635		RACCORDO "L" M-M GIR.3/8 S40	"L" CONNECTION	ANSCHLUSS	RACCORD "L"	UNIÓN
B3637		ADATTATORE M-F(G)3/8 IDRAUL.	HYDRAULIC ADAPTER M-F(GAS) 3/8 .	HYDRAUL. VERBINDUNGSSTÜCK INNEN-AUSSEN (GAS) 3/8	ADAPTATEUR M-F(G)3/8 HYDRAUL.	ADAPTADOR M-H(G)3/8 HIDRÁUL.
B3639		KIT GUARNIZ.CIL.T1 SATURNUS40	GASKETS KIT	DICHTUNGSSATZ	JEU DE JOINTS	JUEGO DE JUNTAS
B3640		KIT GUARNIZ.CIL.T2 SATURNUS40	GASKETS KIT	DICHTUNGSSATZ	JEU DE JOINTS	JUEGO DE JUNTAS
B3643		SCHEDA EL.ATLT SAT45 CC	ELECTRIC BOARD	ELEKTROKARTE	CARTE ELECTRIQUE	TARJETA ELEC. SAT40
B3644		CILINDRO PNEUM.PIATT.OS.2A S45	CYLINDER	ZYLINDER	VÉRIN	CILINDRO
B3647		TUBO 1/4	HOSE 1/4	SCHLAUCH 1/4	TUYAU 1/4	TUBO 1/4
B3652XX		PIANALE SX	PLATFORM SX	PLATTFORM SX	PLATE-FORME SX	PLATAFORMA SX
B3653XX		PIANALE DX	PLATFORM DX	PLATTFORM DX	PLATE-FORME DX	PLATAFORMA DX
B3654XX		LEVA ESTERNA	EXTERNAL LEVER	HEBEL	LEVIER	PALANCA

B3655XX		LEVA INTERNA	INSIDE LEVER	HEBEL	LEVIER	PALANCA
B3656		PERNO CERNIERA SUP.LEVA	HINGE PIN	BEFESTIGUNGSBOLZEN	TIGE CHARNIERES	PASADOR BISAGRA
B3657		PERNO INF.LEVA ESTERNA	PIN	STIFT	AXE	PERNO
B3658		PERNO CERNIERA CENT.LEVE	HINGE PIN	BEFESTIGUNGSBOLZEN	TIGE CHARNIERES	PASADOR BISAGRA
B3659		PERNO SUP.CILINDRO	PIN	STIFT	AXE	PERNO
B3660		PERNO INF.CILINDRO	PIN	STIFT	AXE	PERNO
B3661		RUOTA FOLLE LEVE PIANALE	IDLE WHEEL OF PLATFORM LEVERS	LOSRAD PLATTFORMHEBEL	ROUE LIBRE LEVIERS PLATE-FORME	RUEDA NEUTRA PALANCAS PLATAFORMA
B3663XX		BASAMENTO	BASE	GRUNDPLATTE	CHÂSSIS	BASE
B3664		STAFFA SENSORI	SENSOR SUPPORT	HALTERUNG FÜR SENSOR	SUPPORT CAPTEUR	PLACA PARA SENSOR
B3665XX		PIANALE SX	PLATFORM SX	PLATTFORM SX	PLATE-FORME SX	PLATAFORMA SX
B3666		ATTACCO LEVA PIANALE	PLATFORM LEVER CONNECTION	ANSCHLUSS PLATTFORMHEBEL	FIXATION LEVIER PLATE-FORME	CONEXIÓN PALANCA PLATAFORMA
B3667XX		PIANALE TORRETTA	TURRET PLATFORM	AUFSATZPLATTFORM	PLATE-FORME TOURELLE	PLATAFORMA PLATAFORMA AUXILIAR
B3668XX		PROLUNGA PIAN.TORR.	EXTENSION	VERLÄNGERUNG	RALLONGE	DISTANCIADOR
B3669XX		LEVA EST.TORRETTA	LEVER	HEBEL	LEVIER	PALANCA
B3670XX		LEVA INT.TORRETTA	LEVER	HEBEL	LEVIER	PALANCA
B3671		PIASTRA OSCILLANTE	OSCILLATING PLATE	SCHWINGENDE PLATTE	PLATEAU OSCILLANT	PLACA OSCILANTE
B3672		PIASTRA FISSA	FIXED PLATE	FESTSTEHENDE PLATTE	PLATEAU FIXE	PLACA FIJA
B3673		PERNO CERN.CENT.LEVE TOR.	PIN	STIFT	AXE	PERNO
B3674		PERNO INF.CERN.CIL.T1-T2	PIN	STIFT	AXE	PERNO
B3675		PERNO SUP.CERN.CIL.T1-T2	PIN	STIFT	AXE	PERNO
B3676		PERNO CERN.SUP.LEVA INT	PIN	STIFT	AXE	PERNO
B3677		RUOTA FOLLE X LEVE TORR.	WHEEL	RAD	ROUE LIBRE	RUEDA NEUTRA
B3678XX		PIANALE DX	PLATFORM DX	PLATTFORM DX	PLATE-FORME DX	PLATAFORMA DX
B3685XX		ARMADIETTO	CABINET	SCHRANK	ARMOIRE	CAJÓN
B3686XX		PANNELLO LATERALE ARMADIO	CABINET SIDE PANEL	SCHRANKSEITENPLATTE	PANNEAU LATERAL ARMOIRE	PANEL LATERAL
B3687XX		SPORTELLO ANTERIORE ARMADIO	CABINET FRONT DOOR	VORDERE SCHRANKTÜR	VOLET ANTERIEUR ARMOIRE	PUERTA ANTERIOR ARMARIO
B3688XX		PLANCIA COMANDO EL	DASHBOARD	EL. STEUERTAFEL	TABEAU DE COMMANDE EL	TABLERO MANDO EL.
B3691		MICROFINECORSALTO TORRETTE	MICROSWITCH	MIKROSCHALTER	CONTACT	MICROINTERRUPTOR
B3701		VITE TE M42X70 UNI 5739 ZB	HEX SCREW M42X70	SECHSKANTSCHRAUBE M 42X70 UNI5739 ZB	VIS TE M42X70 UNI 5739 ZB	TORNILLO TE M42X70 UNI 5739 ZB
B3702		GHIERA AUTOBLOC.M30X1,5	SELF-LOCKING RING NUT	SELBSTBLOCKIERENDER GEWINDERING	BAGUE AUTOBLOQ. M30X1,5	ABRAZADERA AUTOBLOC.M30X1,5
B3703		GRANO M6X16 UNI 5927	DOWEL M6X16	STIFT	GRAIN	GRANO
B3704		ATTACCO FERMARUOTA BASCULANTE	WHEEL STOP CONNECTION	ANSCHLUSS RADHALTER	FIXATION BUTEE ROUE	CONEXIÓN PARA-RUEDA
B3711XX		PIANALE SX	PLATFORM SX	PLATTFORM SX	PLATE-FORME SX	PLATAFORMA SX
B3713		PORTAFUSIBILE STRATOS/SATURNUS	FUSE CARRIER STRATOS/SATURNUS	SICHERUNGSHALTER STRATOS/SATURNUS	PORTE-FUSIBLE STRATOS/SATURNUS	PORTAFUSIBILE STRATOS/SATURNUS
B3714		POMPA AD INGRANAGGI SATURNUS40	PUMP	PUMPE	POMPE	BOMBA

B3715		SERBATATOIO OLIO LT14	OIL TANK 14L.	ÖLBEHÄLTER	RESERVOIR HUILE LT14	DEPÓSITO ACEITE 14 L.
B3718		TUBO 1/4	HOSE 1/4	SCHLAUCH 1/4	TUYAU 1/4	TUBO 1/4
B3719		TUBO 3/8	HOSE 3/8	SCHLAUCH 3/8	TUYAU 3/8	TUBO 3/8
B3721		TUBO 3/8	HOSE 3/8	SCHLAUCH 3/8	TUYAU 3/8	TUBO 3/8
B3722		TUBO 1/4	HOSE 1/4	SCHLAUCH 1/4	TUYAU 1/4	TUBO 1/4
B3723		TUBO 1/4	HOSE 1/4	SCHLAUCH 1/4	TUYAU 1/4	TUBO 1/4
B3725		TUBO 1/4	HOSE 1/4	SCHLAUCH 1/4	TUYAU 1/4	TUBO 1/4
B3726		TUBO 1/4	HOSE 1/4	SCHLAUCH 1/4	TUYAU 1/4	TUBO 1/4
B3728		RACCORDO "T" M-M-M 1/4GAS	"T" CONNECTION M-M-M 1/4	"T" ANSCHLUSSKEGEL M-M-M 1/4	RACCORD EN T M-M-M 1/4	CONEXION "T" M-M-M 1/4
B3729		RACCORDO "T" M-M-F 1/4GAS(G)	"T" CONNECTION M-M-F	"T" ANSCHLUSSKEGEL M-M-F	RACCORD "T" M-M-F	CONEXION "T" M-M-F
B3730		BLOCCO IDRAULICO 40 PG COMPL.	HYDRAULIC ASSEMBLY	HYDRAULIKBLOCK	BLOC HYDRAULIQUE	BLOQUEO HIDRÁULICO
B3731		ELETTRO VALVOLA DOPPIA PG 40	ELECTRO-VALVE	ELEKTROVENTIL	ELECTROVANNE	ELECTROVÁLVULA
B3734XX		PIANALE DX	PLATFORM DX	PLATTFORM DX	PLATE-FORME DX	PLATAFORMA DX
B3775XX		COPERTURA TUBI	COVER	DECKEL	COUVERCLE	TAPA
B3814		CURVA 90 3/8 M - F (GIREVOLE)	"L" CONNECTION M-F 3/8"	L-FÖRMIGES FITTING "L" M-F 3/8"	RACCORD "L" M-F 3/8"	CONEXION "L" M-F 3/8" BASTA
B3815		TUBO 1/4	HOSE 1/4	SCHLAUCH 1/4	TUYAU 1/4	TUBO 1/4
B3816		TUBO 1/4	HOSE 1/4	SCHLAUCH 1/4	TUYAU 1/4	TUBO 1/4
B3817		TUBO 1/4	HOSE 1/4	SCHLAUCH 1/4	TUYAU 1/4	TUBO 1/4
B3819		TUBO 1/4	HOSE 1/4	SCHLAUCH 1/4	TUYAU 1/4	TUBO 1/4
B3880		VALVOLA MAX VME06/EN300 70-315B	VALVE	VENTIL	SOUPAPE	VALVULA
B3881		BLOCCHETTO VALVOLA MAX	BLOCK	BLOCK	BLOC	BLOQUEO
B3882		ELETTRO VALVOLA ARON AD3 E 16E M003	ELECTRO-VALVE	ELEKTROVENTIL	ELECTROVANNE	ELECTROVÁLVULA
B3883		PIASTRA ELETTROVALVOLA ARON CETOP 3.2S	PLATE ELECTRO-VALVE		PLAQUE ELECTROVANNE	PLACA ELECTROVÁLVULA
B3884		ELETTRO VALVOLA DOPPIA TENUTA PG	ELECTRO-VALVE	ELEKTROVENTIL	ELECTROVANNE	ELECTROVÁLVULA
B3885		BLOCCHETTO EL.VALV.DOPP.TENUTA	ELECTROVALVE BLOCK	BLOCK ELEKTROVENTIL	BLOC ÉLECTROVANNES	BLOQUE DE ELECTROVÁLVULAS
B3905		TUBO MANDATA/SCARICO PG4M	DELIVERY HOSE	ROHR	TUYAU	TUBO
B3906		TUBO MANDATA BLOCCO PG - PG4M	OIL DELIVERY HOSE	AUSFLUßROHR	TUBE DE REFOULEMENT	TUBO
B3907		PROLUNGA M-F1/4 LUNG.20MM PG4M	EXTENSION M-F1/4	VERLÄNGERUNG M-F1/4	RALLONGE M-F1/4	DISTANCIADOR M-F1/4
B4227XX		PROTEZIONE PULSANTE	COVER	ABDECKUNG SCHALTER	COUVERTURE DE POUSSOIR	CUBIERTA DE BOTON
B4337		RUBINETTO ALTA PRESSIONE	HIGH PRESSURE COCK	ABLAßHAHN	ROBINET HAUTE PRESSION	LLAVE ALTA PRESION
B4338		RACCORDO "T" F-F-F1/4G.ID.	"T" CONNECTION	ANSCHLUSSKEGEL "T"	RACCORD "T"	CONEXION "T"
B4365	*	SCHEDA ELETTRONICA COMPLETA	FULL ELECTRIC CARD	ELEKTRONIK STEUERKARTE	PLATINE ÉLECTROMÉCANIQUE COMPLÈTE	PLATCA ELECTRONICA COMPLETA
B4374	*	KIT ELETTROVALVOLA	SOLENOID VALVE KIT	SET MAGNETVENTIL	KIT ÉLECTROVANNE	KIT ELECTROVALVOLA
B4375		CARTUCCIA MAGNETICA COMPLETA*	COMPLETE MAGNETIC CARTRIDGE*	KOMPL. MAGNETEINSATZ*	CARTOUCHE MAGNETIQUE COMPLETEA*	CILINDRO MAGNETICO COMPLETO*
B4377		BOBINA 24V*	COIL 24V*	SPULE, 24 V*	BOBINE 24V*	BOBINA 24V*
B4378		CONNETTORE PER ELETTROVALVOLA*	CONNECTOR FOR SOLENOID VALVE*	ANSCHLUSS FUER MAGNETVENTIL*	CONNECTEUR POUR ELECTROVANNE*	CONECTOR PARA ELECTROVALVOLA*

B4379		KIT BLOCCHETTO 341 POMPA A MANO	HAND PUMP BLOCK 341 KIT	HANDPUMPE 341 IM SET	ENSEMBLE POMPE MANUELLE DE SECOURS	JUEGO BLOQUE BOMBA MANUAL 341
B4380		BLOCCHETTO 554 POMPA A MANO	HAND PUMP BLOCK 554	HANDPUMPE 541	CORPS POMPE MANUELLE DE SECOURS	BLOQUE BOMBA MANUAL 554
B4381		O'RING 14X1.78	O'RING	O'RING	JOINT TORIQUE	EMPAQUE
B4382		VITE TE M6X60	HEXAGONAL-HEAD SCREW M6X60	SECHSKANTSCHRAUBE M6X60	VIS TEE M6X60	TORNILLO DE CABEZA HEXAGONAL M6X60
B4383		RONDELLA 6.4X12.5X1.6	WASHER 6.4X12.5X1.6	UNTERLEGSCHIEBE 6.4X12.5X1.6	RONDELLE 6.4X12.5X1.6	ARANDELA 6.4X12.5X1.6
B4384		VALVOLA LT.9,5	VALVE LT.9,5	VENTIL LT.9,5	VANNE LT.9,5	VALVULA LT.9,5
B4387		FASCETTA CLIC CC55090	CLIC CLAMP CC55090	SCHNAPPRING CC55090	COLLIER CC55090	ABRAZADERA CC55090
B4388		TUBO SCARICO D.5X9 L=290	EXHAUST PIPE D.5X9 L=290	BENZIN-ABLAUFROHR D5X9 L=290	TUYAU D'ECOULEMENT D.5X9 L=290	TUBO DE DESCARGA D.5X9 L=290
B4389		FLANGIA COMPLETA 150 BAR	COMPLETE FLANGE 150 BAR	KOMPL. FLANSCH 150 BAR	BRIDE COMPLETE 150 BAR	BRIDA COMPLETA 150 BAR
B4390	*	VALVOLA DI RITEGNO	CHECK VALVE	RUECKSCHLAGVENTIL	CLAPET ANTI-RETOUR	VALVULA DE NO RETROCESO
B4391	*	VALVOLA DI MASSIMA 150 BAR	MAX. PRESSURE VALVE 150 BAR	UEBERDRUCKVENTIL 150 BAR	CLAPET DE PRESSION MAX.150 BAR	VALVULA DE MAXIMA PRESION 150 BAR
B4392		O'RING 110.72X3.53	O'RING	O'RING	JOINT TORIQUE	EMPAQUE
B4393		TAPPO PROTEZIONE VALVOLA DI MASSIMA	MAX. PRESSURE VALVE PROTECTION PLUG	SCHUTZKAPPE FUER UEBERDRUCKVENTIL	COUVERCLE PROTECTION CLAPET PRESSION MAX	TAPON DE PROTECCION VALVULA DE MAX. PRESION
B4394		FLANGIA CON FORI DA 1/4"	FLANGE WITH HOLES 1/4"	FLANSCH MIT 1/4" BOHRUNGEN	BRIDE AVEC TROUS DE 1/4"	BRIDA CON AGUJEROS 1/4"
B4397		PIASTRINA DI SERRAGGIO X SERBATOIO	TIGHTENING PLATE FOR TANK	TANKBEFESTIGUNGSPLATTE	PLAQUE FIXATION RESERVOIR	PLACA DE FIJACION DEL DEPOSITO
B4399		SEMIKIT CON RESCA X TUBO D.5X9	RUBBER RING HOLDER KIT FOR HOSE D. 5X9	SCHLAUCHHALTER D 5X9	ENSEMBLE RACCORDS POUR FLEXIBLE D.5X9	JUEGO PORTA-EMPAQUE DE GOMA P/ TUBOS D.5X9
B4400		KIT FISSAGGIO MOTORE	MOTOR FASTENING KIT	MOTOR-BEFESTIGUNGSSET	ENSEMBLE FIXATIONS MOTEUR	JUEGO SUJECION MOTOR
B4401		KIT FISSAGGIO SERBATOIO	TANK FASTENING KIT	TANK-BEFESTIGUNGSSET	ENSEMBLE FIXATIONS RESERVOIR	JUEGO SUJECION DEPOSITO
B4402		KIT SCARICO PRIMARIO	PRIMARY EXHAUST KIT	VORLAUF-ABLASS-SET	ENSEMBLE RETOUR	JUEGO ESCAPE PRIMARIO
B4403		RONDELLA IN ALLUMINIO 13.5X18X1.5	ALUMINIUM WASHER 13.5X18X1.5	ALUSCHIEBE 13,5X18X1,5	RONDELLE EN ALUMINIUM 13.5X18X1.5	ARANDELA DE ALUMINIO 13.5X18X1.5
B4404		CARTUCCIA VALVOLA CONTROLLO DISCESA	LOWERING CONTROL VALVE CARTRIDGE	FILTEREINSATZ SENKVENTIL	CARTOUCHE CLAPET CONTROLE DESCENTE	CILINDRO VALVOLA CONTROL DESCENSO
B4405		TUBO SCARICO L=230	EXHAUST PIPE L=230	ABLASS-SCHLAUCH L = 230	TUBE L=230	TUBO DE DESCARGA L = 230
B4406		KIT SCARICO VALVOLA DI MAX	MAX. PRESSURE VALVE EXHAUST KIT	UEBERDRUCKVENTIL-ABLASS-SET	ENSEMBLE RETOUR CLAPET PRESSION MAX.	JUEGO DESCARGA VALVULA DE MAX. PRESION
B4407		KIT ASPIRAZIONE	SUCTION KIT	KOMPL. ANSAUGS-SATZ	ENSEMBLE ASPIRATION	JUEGO ASPIRACION
B4408		O'RING 18.77X1.78	O'RING	O'RING	JOINT TORIQUE	EMPAQUE
B4409		FILTRO PIATTO D.62 DA 3/8"	FLAT FILTER D.62 3/8"	FLACHFILTER D.62 3/8"	FILTRE PLAT	FILTRO PLANO
B4410		TUBO ASPIRAZIONE M/M G.3/8"	SUCTION PIPE	ANSAUGROHR	TUBE ASPIRATION	TUBO ASPIRACION
B4451		BLOCCHETTO 2 FOTOCELLULE	PHOTOCELL	FOTOZELLE	PHOTOCELLULE	FOTOCELULA
B5053	*	VITE FORATA 1/4	SCREW 1/4	SCHRAUBE 1/4"	BOUCHON RENIFLARD 1/4"	TORNILLO CON ORIFICIO 1/4"
B5186		SFERA PIASTRE OSCILLANTI	BALL FOR OSCILLATING PLATES	KUGEL FÜR SCHWINGENDE PLATTEN	PLAQUE DE RETENUE DE CHEMIN DE ROULEMENT	ESFERA PLACAS OSCILANTES
B6002		VITE TCEI M8X28 + RONDELLA INCORPORATA	SCREW TCEI M8X28 + INCORPORATED WASHER	SCHRAUBE TCEI M8X28 +EINGEBAUTER UNTERLEGSCHIEBE	VIS CHC M8X28 + RONDELLE INCORPORÉE	TORNILLO TCEI M8X28 + ARANDELA INCORPORADA
B6003		FLANGIA PER MOTORE ELETTRICO "N"	"N" ELECTRIC MOTOR FLANGE	FLANSCH FÜR E-MOTOR "N"	BRIDE POUR MOTEUR ÉLECTRIQUE TYPE "N"	PLATO PARA MOTOR ELÉCTRICO "N"

B6004		GIUNTO A PENNA "LM"	"LM" CONNECTING COUPLING	FEDERANSCHLUSS "LM"	ACCOUPLLEMENT "LM"	ACOPLAMIENTO DE OREJA "LM"
B6005		GIUNTO A PENNA "LP"	"LP" CONNECTING COUPLING	FEDERANSCHLUSS "LP"	ACCOUPLLEMENT	ACOPLAMIENTO DE OREJA "LP"
B6015		O'RING 6437 110,72X3,53	O'RING	O'RING	JOINT TORIQUE	EMPAQUE
B6020		VITE TCEI M6X40 UNI 5931	SCREW TCEI M6X40 UNI 5931	SCHRAUBE TCEI M6X40 UNI 5931	VIS CHC M6 X 40 UNI 5931	TORNILLO TCEI M6X40 UNI 5931
C0092		RACCORDO "T" F-F-M 1/4"	"T" CONNECTION F-F-M 1/4"	L-ANSCHLUSS "T" F-F-M 1/4"	RACCORD "T" F-F-M 1/4"	CONEXION "T" F-F-M 1/4"
C0242		RIDUZIONE M-F 1/2X1/4	CONNECTOR MF 1/2"X1/4"	REDUKTION MF 1/2"X1/4"	RÉDUCTEUR MF 1/2"X1/4"	REDUCCIÓN MF 1/2"X1/4"
C0278		RACCORDO "L" GIREVOLE M M5X6	"L" CONNECTION M5X Ø6	"L"-ANSCHLUSS	RACCORD	CONEXION "L"
C0339		TUBO RILSAN 8X6 NERO	RILSAN HOSE D8X6	SCHLAUCH D.8X6	TUYAU RILSAN D.8X6	TUBO RILSAN Ø8X6
C0348		RACCORDO "T" F-F-F 1/4"	"T" CONNECTION F-F-F 1/4"	T-FÖRMIGES FITTING F-F-F 1/4"	RACCORD "T" F-F-F 1/4"	CONEXION "T" F-F-F 1/4"
C0516		RIDUZIONE M-F 3/8"-1/4"	REDUCTION M-F 3/8"-1/4"	REDUKTION M-F 3/8"-1/4"	RÉDUCTION M-F 3/8"-1/4"	REDUCCIÓN M-F 3/8"-1/4"
C0611		RONDELLA P 13X18,5 UNI 6592 ZB	WASHER P 13X18,5 UNI 6592 ZB	UNTERLEGSCHIEBE P 13X18,5 UNI 6592 ZB	RONDELLE P 13X18,5 UNI 6592 ZB	ARANDELA P 13X18,5 UNI 6592 ZB
C0630		RONDELLA IN RAME Ø14X20	COPPER WASHER Ø14X20	MUTTER M10 UNI 5588	ECROU M10 UNI 5588	TUERCA
R0046		DADO M12 UNI 5588	NUT M12 UNI 5588	MUTTER M12 UNI 5588	ECROU M12 UNI 5588	TUERCA M12 UNI 5588
R0068		SEEGER E30 UNI 7435	SNAP RING E30 UNI 7435	SEEGER E30 UNI 7435	ANNEAU DE FIXAGE E30 UNI 7435	SEEGER E30 UNI 7435
R0132		RONDELLA RAME 3/8"	WASHER 3/8" UNI 7989	KUPFERSCHIEBE 3/8"	RONDELLE 3/8" UNI 7989	ARANDELA DE COBRE 3/8"
R0171		SEEGER E45 UNI 7435	SEEGER E45 UNI 7435	SEEGER-RING E45 UNI 7435	BAGUES E45 UNI 7435	SEEGER
R0649		BOCCOLA AUTOLUBR.30X34X20 BR	SELF LUBRICATING BUSHING 30X34X20 BRONZE	SELBSTSCHMIERENDE BUCHSE 30X34X20 BR	DOUILLE AUTOLUBRIFIANTE 30X34X20 BR	CASQUILLO AUTOLUBR.30X34X20 BR
R2095		DADO M14 UNI 5588	NUT M14 UNI 5588	MUTTER M14 UNI 5588	ECROU M14 UNI 5588	TUERCA M14 UNI 5588
R3034		RACCORDO "L" M/M 1/4"	"L" CONNECTION M/M 1/4"	"L"-ANSCHLUSS	RACCORD "L" M/M 1/4"	CONEXION "L" M/M 1/4"
S3035		BOCCOLA AUTOLUBR.35X39X20	SELF LUBRICATING BUSHING 35X39X20	SELBSTSCHMIERENDE BUCHSE 35X39X20	DOUILLE AUTOLUBRIFIANTE 35X39X20	CASQUILLO AUTOLUBR.35X39X20
S3514		BOCCOLA AUTOLUBR.35X39X40	SELF LUBRICATING BUSHING 35X39X40	SELBSTSCHMIERENDE BUCHSE 35X39X40	DOUILLE AUTOLUBRIFIANTE 35X39X40	CASQUILLO AUTOLUBR.35X39X40
S4011		RACCORDO A "T" MMM 1/4"	"T" CONNECTION	T – STÜCK ARMATUR MMM 1/4"	RACCORD "T" MMM 1/4"	CONEXION EN "T" MMM 1/4"
S4012		BULLONE FORATO 3/8"	3/8" HOLED BOLT	HALTEBOLZEN 3/8"	VIS BANJO 3/8"	BULON TALADRADO 3/8"
S4504		NIPPLO 3/8"-1/4"	3/8"-1/4" NIPPLES	DOPPEL – GEWINDENIPPEL 3/8"- 1/4"	MANCHON RÉDUCTEUR 3/8"-1/4"	NIPLE 3/8"-1/4"
S6000		MOTORE TRIFASE 230-400V/50HZ 3 KW	MOTOR THREE-PHASE 230-400V/50HZ 3 KW	MOTOR DREHSTROM 230-400V/50HZ 3KW	MOTEUR TRIPHASÉ 230-400V/50HZ 3KW	MOTOR TRIFASICO 230-400V/50HZ 3 KW
S6017		FUSIBILE 500MA 5X20	FUSE 500MA 5X20	SCHMELZSICHERUNG 500MA 5X20	FUSIBLE 500MA 5X20	FUSIBILE 500MA 5X20
Z_RICAMBI		* = RICAMBI CONSIGLIATI	* = RECOMMENDED SPARE PARTS	* = EMPFOHLENE E-TEILE	* = PIECES DE RECHANGE CONSEILLEES	* = REPUESTOS ACONSEJAIOS